

Offset Reamer Driver – Locking



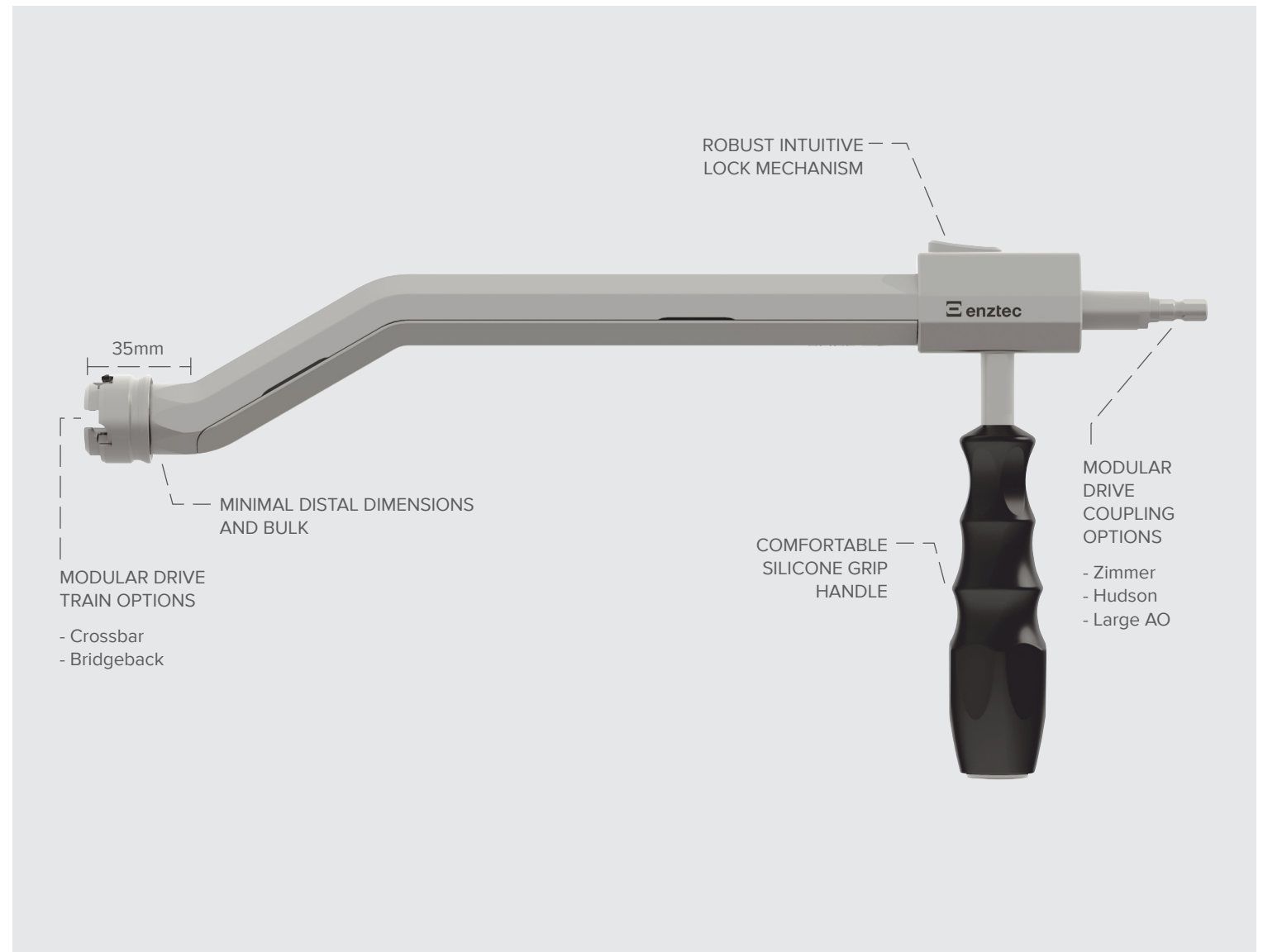
Offset Reamer Driver – Locking

The Locking Offset Reamer Driver allows the reamer to be placed in the incision prior to connection, supporting a Direct Anterior Approach.

Two variants are available, connecting to crossbar or bridgeback reamers.

Features:

- Traditional style capture retains the reamer to allow forward and reverse reaming
- Index-able handle (45° increments)
- Field changeable drive coupling
- Disassembles for easy cleaning
- Replaceable parts, including drive train
- Fits in most existing reamer pans with industry standard length and profile
- Intuitive assembly.



Enztec is focused on the design and manufacture of orthopaedic instruments. We are a proven, quality approved supplier to all major orthopaedic implant companies and welcome your enquiries.

For further information or to order your **Enztec Offset Reamer Driver – Locking**, visit: www.enztec.com
enquiries@enztec.com
NZ +64 3 348 0203

Enztec