

Offset Reamer Driver – Locking

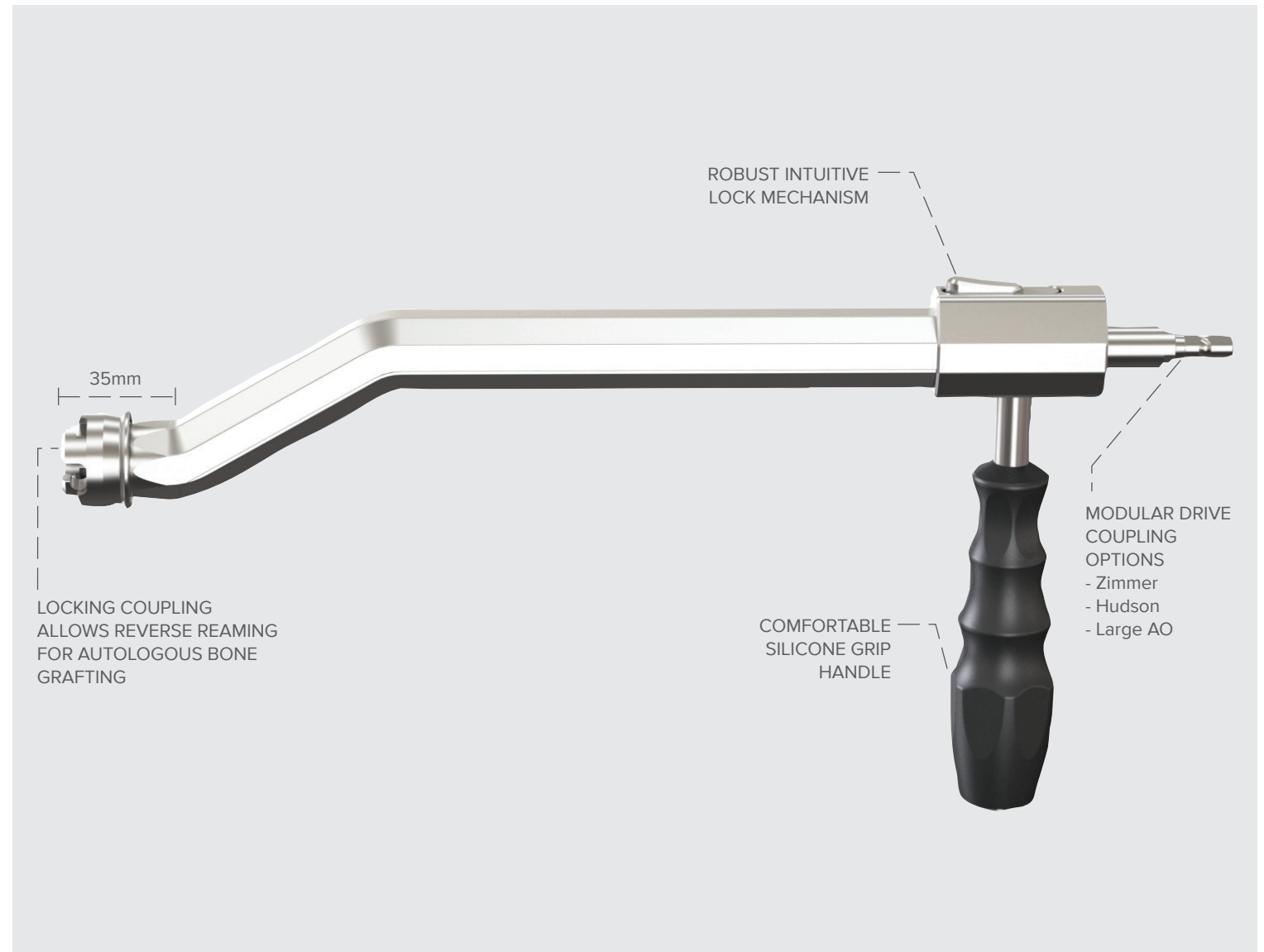


# Offset Reamer Driver – Locking

The Offset Reamer Driver – Locking provides a robust, cleanable reaming solution.

## Features:

- Connects to standard crossbar reamers and bridgeback reamers
- Minimal distal dimensions and bulk
- Index-able handle (45° increments)
- Field changeable drive connection
- Modular design, allows disassembly for easy cleaning
- Replaceable parts, including drive train
- Fits in most existing reamer pans with industry standard length and profile
- Intuitive assembly.



Enztec is focused on the design and manufacture of orthopaedic instruments. We are a proven, quality approved supplier to all major orthopaedic implant companies and welcome your enquiries.

For further information or to order your **Enztec Offset Reamer Driver – Locking**, visit: [www.enztec.com](http://www.enztec.com)  
[enquiries@enztec.com](mailto:enquiries@enztec.com)  
NZ +64 3 348 0203

**Enztec**