



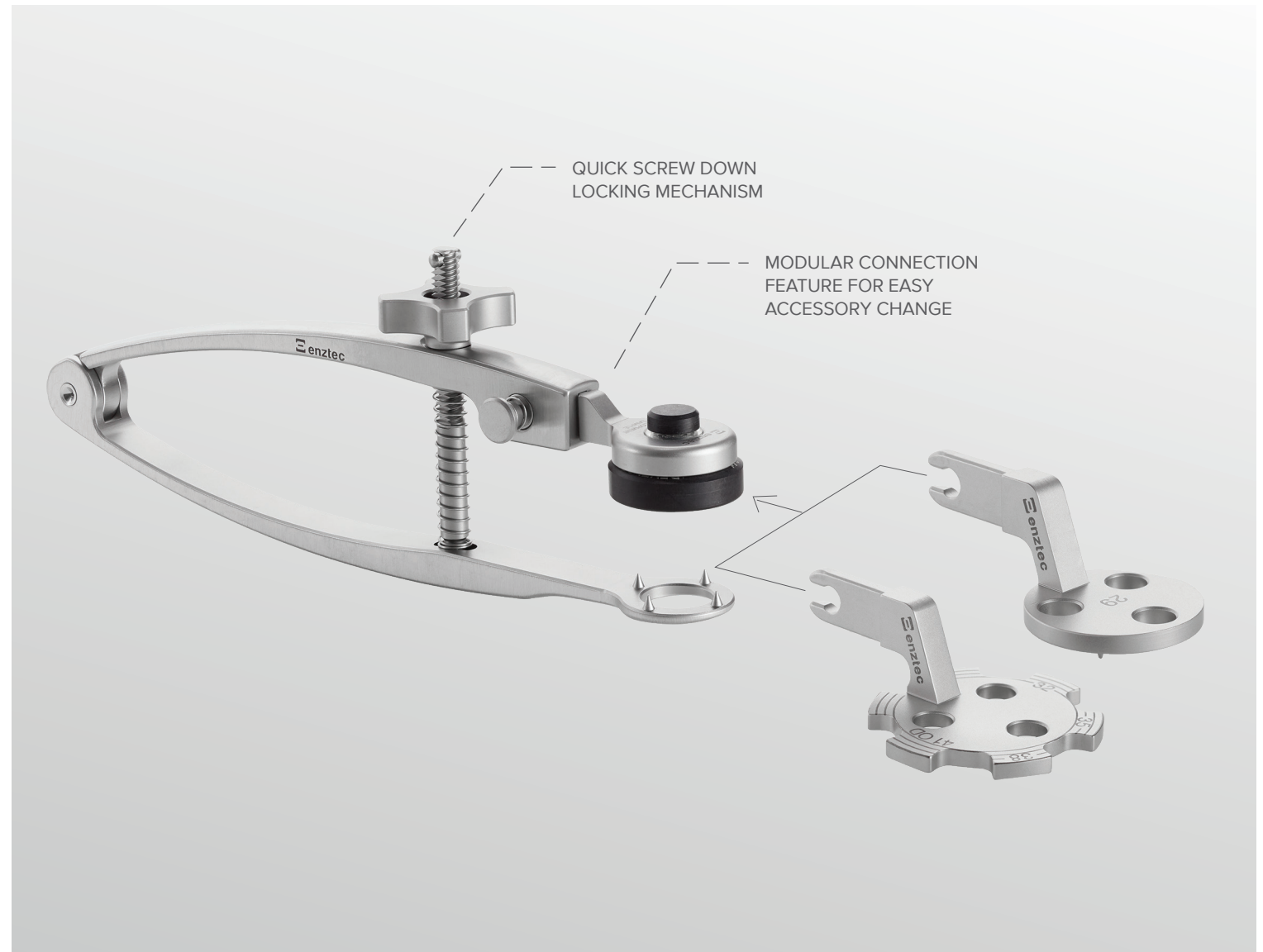
Classic Patella Clamp

Classic Patella Clamp

The Classic Patella Clamp has been designed to allow quick and efficient patella preparation and cement pressurisation. It's light weight design allows the clamp to be left in place unsupported with no risk of patella tendon damage.

Features:

- Light weight (0.6lbs/270g)
- Fast clamping/releasing
- Modular design
- Single and multisize drill guides available, tailored to your implants
- Annular rings on multisize drill guide ensure central patella location
- Cement clamp provides ring contact for pressurisation
- Polymer cement pad is replaceable if required due to damage, cement deposit adhesion, etc.



Enztec is focused on the design and manufacture of orthopaedic instruments. We are a proven, quality approved supplier to all major orthopaedic implant companies and welcome your enquiries.

For further information or to order your **Enztec Classic Patella Clamp**, visit:
www.enztec.com
enquiries@enztec.com
NZ +64 3 348 0203

enztec