

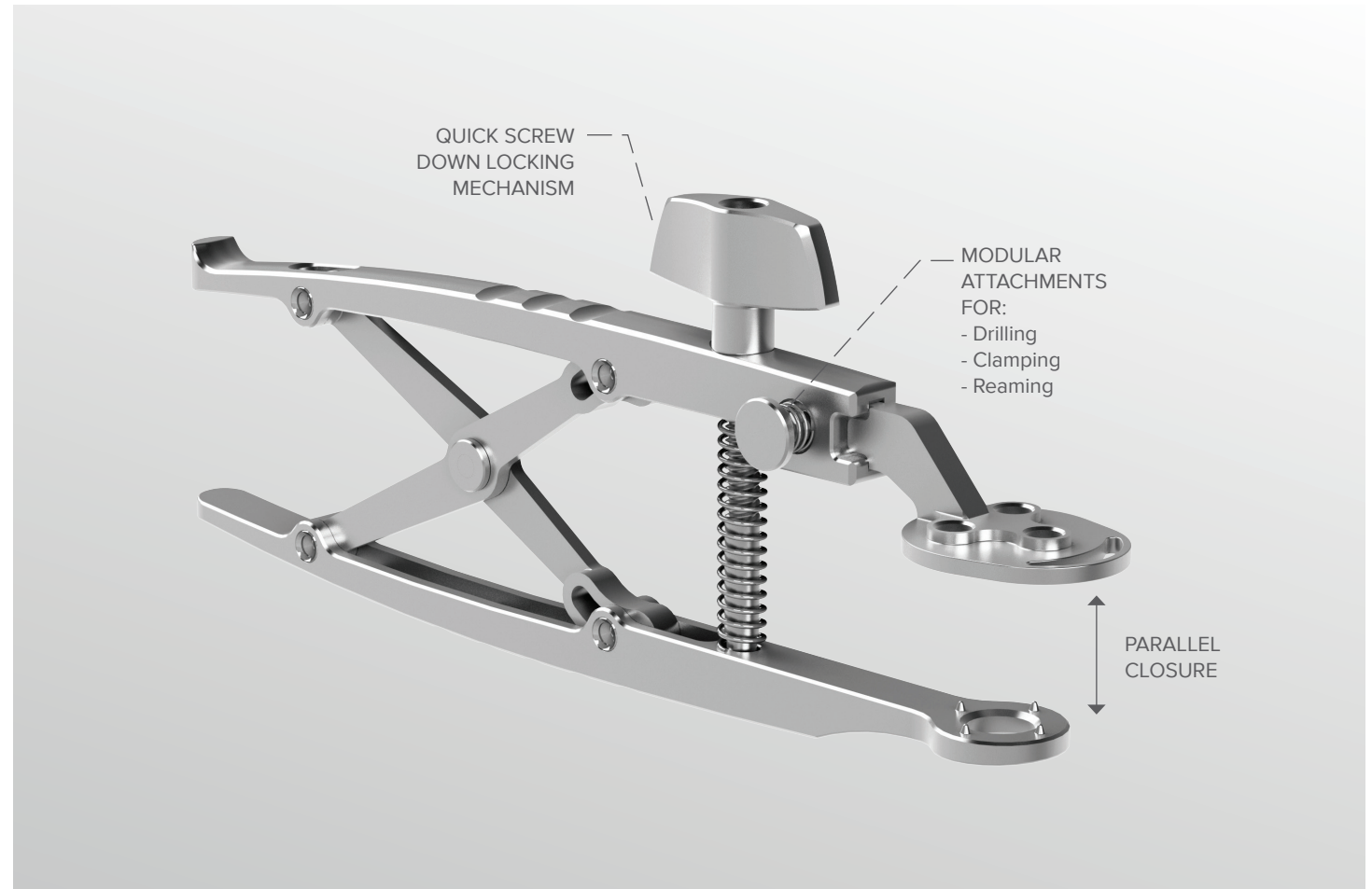
Premium Patella Clamp

Premium Patella Clamp

Lightweight and intuitive – this modular design allows quick and efficient patella preparation.

Features:

- Single handed operation for drilling and clamping the patella
- Supports single and multi size drill guides to suit your patella peg position
- Parallel lock mechanism ensures reliable and even cement pressurisation
- Compatible with round and anatomic patella
- Parallel closure allows the handle to be used for reaming in addition to drilling and clamping
- Enquire about use of this handle with patella reamers.



CE
2797

FDA
COMPLIANT

For further information or to order your
Enztec Premium Patella Clamp, visit:
www.enztec.com

Enztec is an MDR-certified, ISO 13485 designer and manufacturer of orthopaedic instruments. We are a proven, quality approved supplier to all major orthopaedic implant companies and welcome your enquiries.
enquiries@enztec.com | NZ +64 3 348 0203

 **enztec**