



Femoral Head Impactor



# Femoral Head Impactor

---

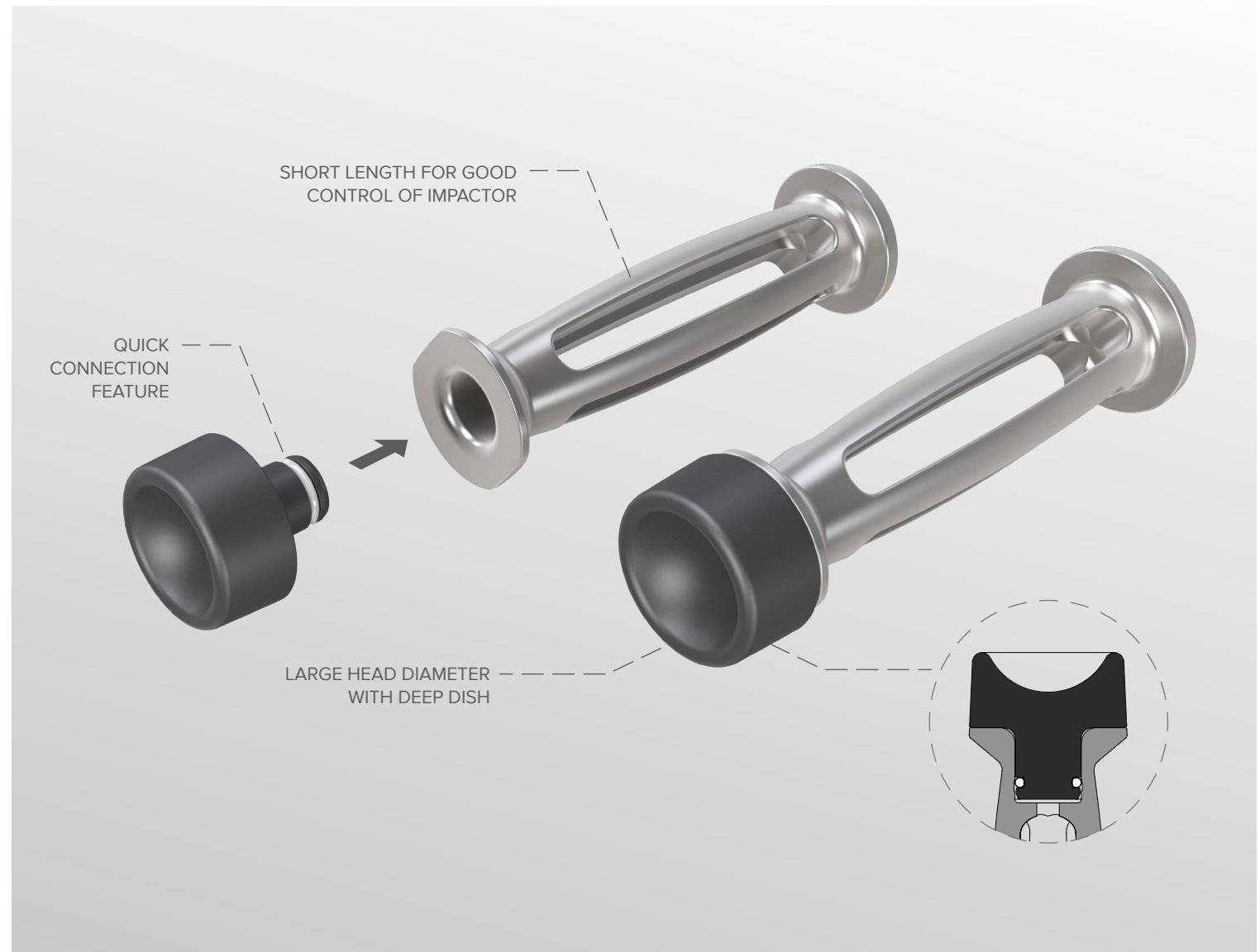
The Femoral Head Impactor provides stable location on femoral heads, preventing slippage during impaction.

## Features:

- Removable head for ease of cleaning
- Large diameter anvil for hand protection
- Large head diameter for better location on Femoral Head
- Deep impaction recess to ensure stable location and to prevent slippage during impaction
- Short length to enable good control of impactor.

Enztec is focused on the design and manufacture of orthopaedic instruments. We are a proven, quality approved supplier to all major orthopaedic implant companies and welcome your enquiries.

For further information or to order your Enztec Femoral Head Impactor, visit:  
[www.enztec.com](http://www.enztec.com)  
[enquiries@enztec.com](mailto:enquiries@enztec.com)  
NZ +64 3 348 0203



**enztec**