



Classic Offset Cup Impactor X

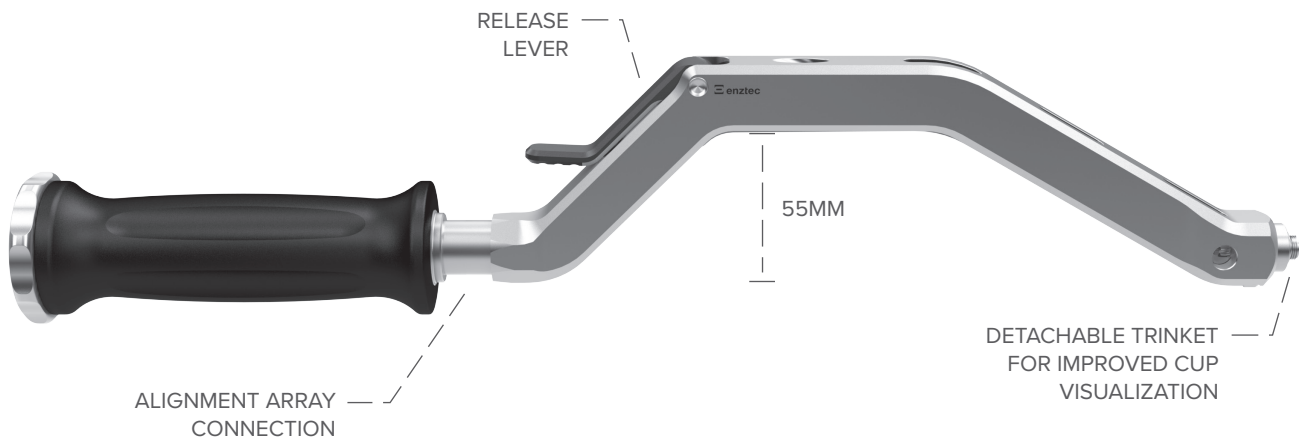
Bringing new levels of in-situ visualization to cup impaction.

With its detachable trinket the Enztec Classic OCI X can be quickly and easily removed for visual inspection or intraoperative imaging to verify cup position before final impaction.

The generous offset supports a variety of patient anatomies meaning this instrument can be used in any approach. It is already compatible with a wide range of acetabular cups and will be customized to fit your needs.

You can rely on the Enztec Classic OCI X to give you the flexibility and confidence to seat your cup in any situation.





Compatible implants

- Smith + Nephew R3
- DePuy Pinnacle
- Stryker Trident
- ZimmerBiomet G7
- Signature Logical G
- Corin Trinity
- + more

Features

- Allows in-situ visualization and intraoperative imaging of the cup before final impaction
- Infinitely adjustable cup orientation for lag screw positioning
- Release lever clear of the incision

Specifications

- Materials: Stainless Steel, Propylux, Silicone
- Weight: 1300g / 2.9lbs
- Length: 420mm / 16.5in
- Offset: 55mm / 2.2in
- Two hex driver options: T-handle and straight handle
- Add your logo: available