

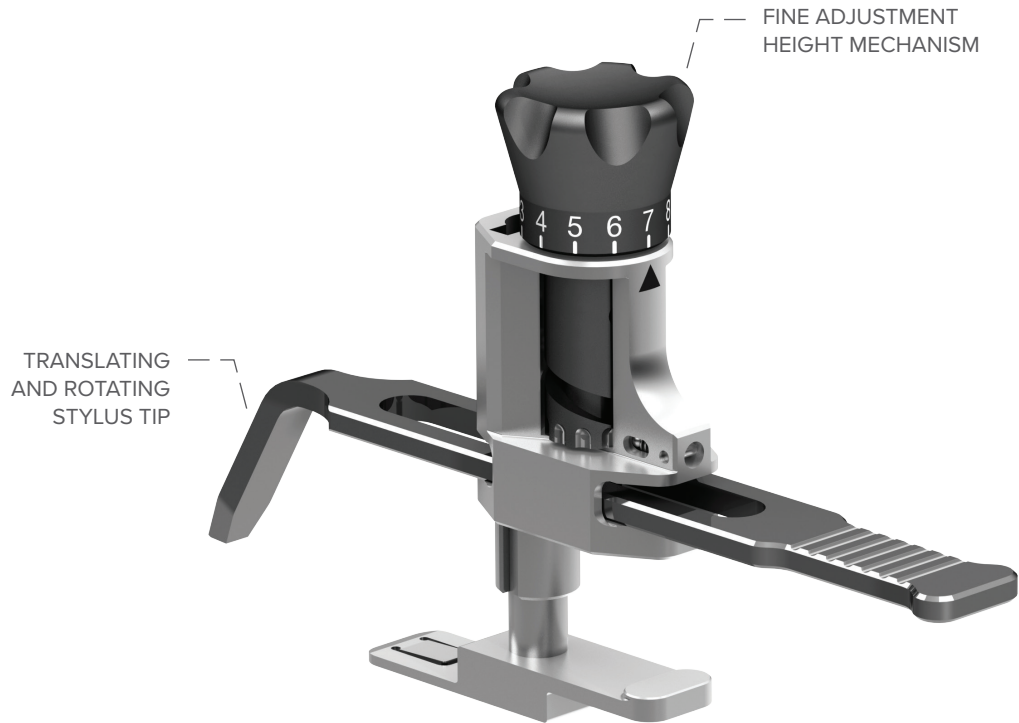


Adjustable Tibial Stylus

The precision tool you need for accurate and efficient tibial resection.

With a light-weight all-in-one design, the Enztec Adjustable Tibial Stylus is designed for efficiency and ease.

The rotating stylus tip ensures a reliable reference to the tibial plateau while the fine adjustment feature gives you the flexibility to set your desired resection depth. Whether you need a minimal 1mm adjustment or a more substantial 12mm, it's got you covered.



Features

- Compatible with a 1.37mm saw slot
- Translating and rotating stylus tip
- Fine adjustment feature (1mm increments)
- Open design for enhanced cleaning and sterilization

Specifications

- Materials: Stainless Steel
- Weight: 162g / 0.35lbs
- Length: 128mm / 5.0in
- Add your logo: available