

Adjustable Cutting Block

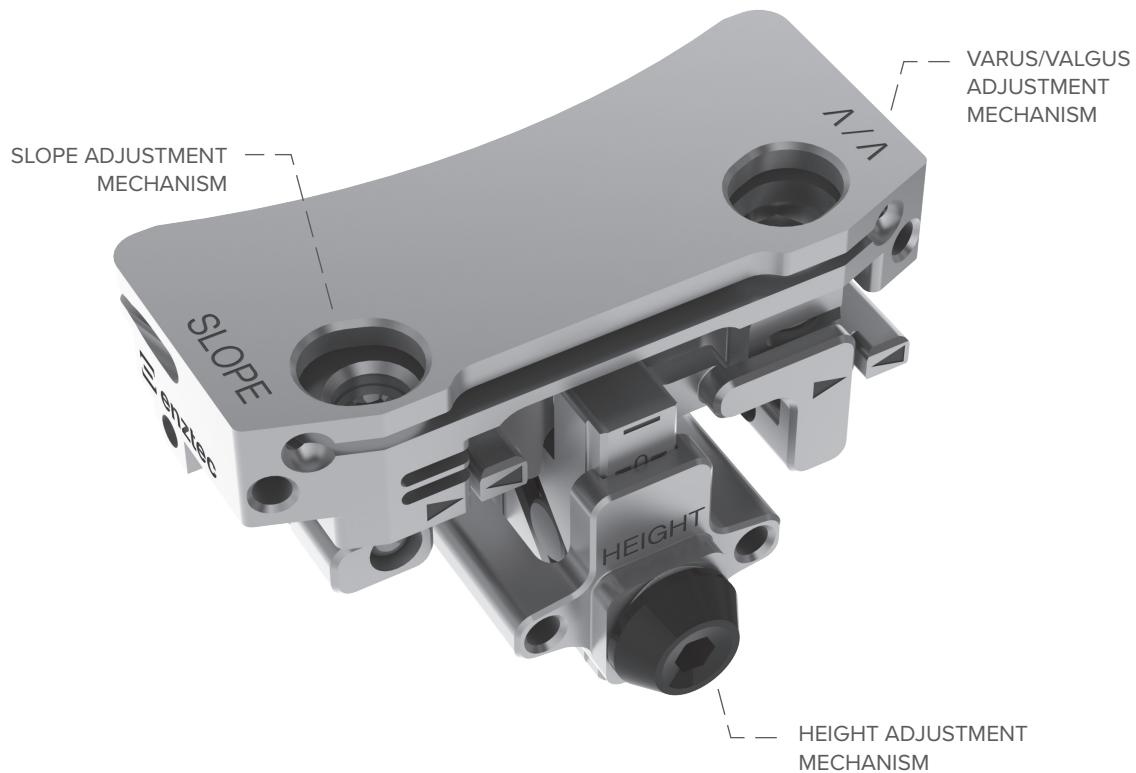
Mighty fine – adjustment without freeplay in a compact design

With the technology and understanding you have today, you know what resections you want to make... but how do you make those cuts easily, accurately and with a minimum of fuss?

The Enztec Adjustable Cutting Block has been designed to enable precise, efficient adjustments when doing Tibial and Femoral resection.

Each of the fine adjustment mechanisms eliminate freeplay and accidental adjustment. With infinite control of varus/valgus, slope, and resection height, this compact design gives you the control and confidence you need to quickly and efficiently optimise cuts to suit your patient.





Features

- 1.27mm or 1.37mm saw blade options
- Compact design
- Height adjustment +/- 5mm
- Varus/Valgus adjustment +/- 5 degrees
- Slope adjustment +/- 5 degrees

Specifications

- Materials: Stainless Steel, PEEK
- Weight: 169g / 0.35lbs
- Width: 68mm / 2.6in
- Height: 40mm / 1.6in
- Depth: 41mm / 1.6in
- Add your logo: available