

Classic Offset Cup Impactor X – Technical Guide

Contents

Classic Offset Cup Impactor X – Technical Guide

Overview.....	1
Components & Features.....	2
Important Information.....	3
Assembly.....	4
Lever Functionality.....	5
Cup Attachment.....	6
Visualisation.....	7
Cup Detachment.....	8
Catalogue.....	9
Nota Bene.....	10

Overview

The Enztec Classic Offset Cup Impactor X allows visualisation and discrete adjustment of cup position in-situ, prior to final impaction, supporting a Direct Anterior Approach.

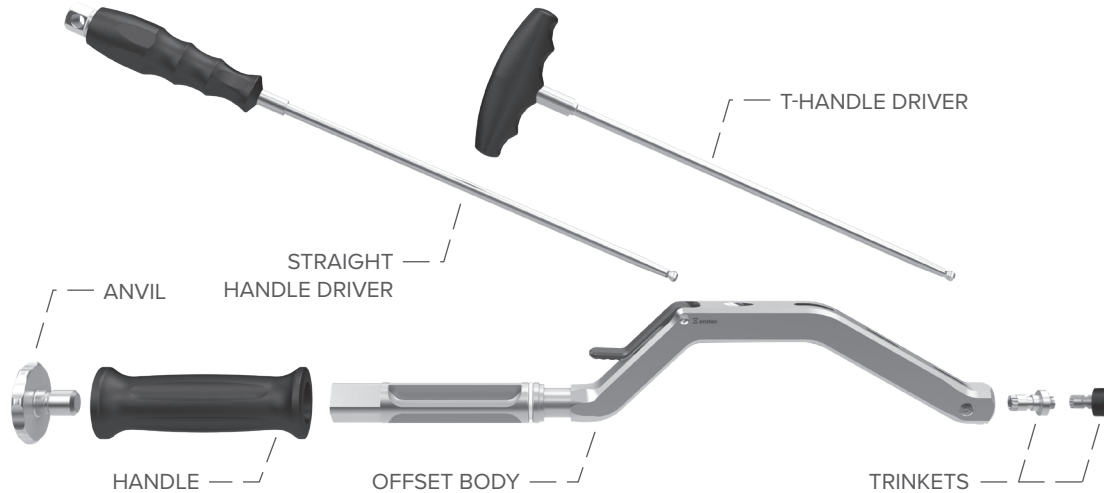
The Classic Offset Cup Impactor X has 55mm of offset, providing ample clearance of bone and soft tissue.



Components & Features

The Enztec Classic Offset Cup Impactor X consists of the Offset Body, Trinket, Handle Driver, Handle and Anvil.

The handle driver comes in two variants, Straight or T-Handle to accommodate surgeons preference.

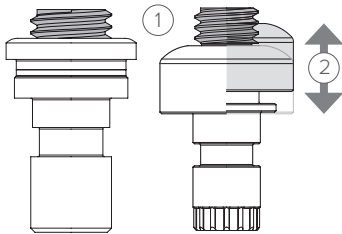


Important Information

Trinket Lifetime

Important:

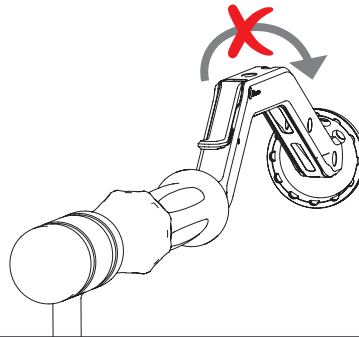
1. Inspect the Trinket thread for damage prior to use. Trinkets must be discarded after 12 months of use or earlier if damaged.
2. Cleaning – Actuate while rinsing, thoroughly flush difficult to reach areas.



Cup Impaction

Warning:

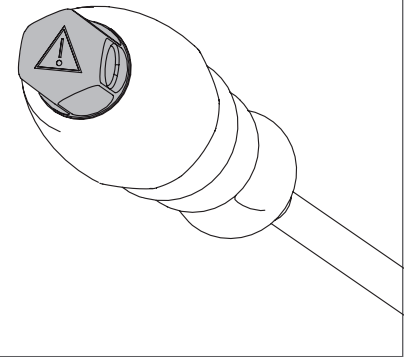
3. Do not rotate the impactor clockwise while impacting as this will further tighten the Trinket into the cup. This may make Trinket removal more difficult.



Trinket Removal

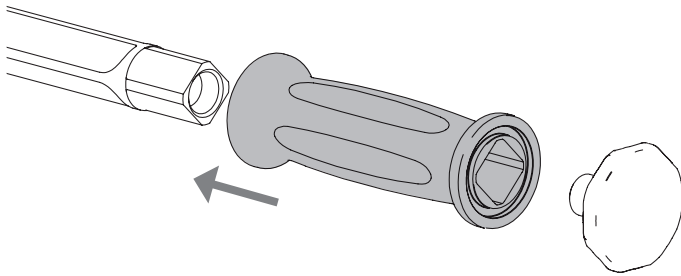
Warning:

4. If extra torque is required to remove the Trinket from the cup, use the **T-Handle Driver** or hex feature on the **Straight Handle Driver**.

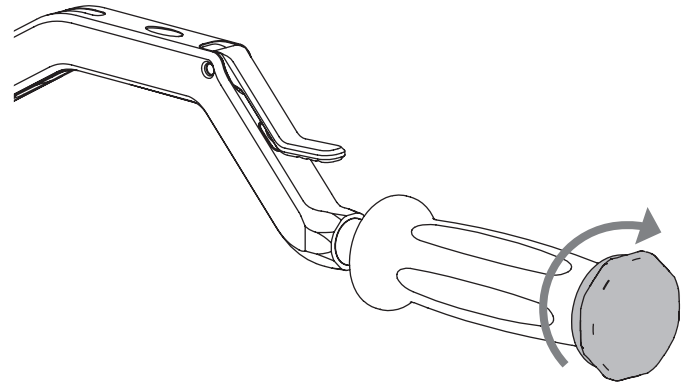


Assembly

Slide the Handle onto the Offset Body.



Once the Handle is secured, insert the Anvil; turn clockwise until secure.



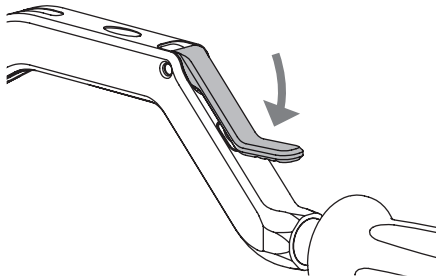
Lever Functionality

There are 3 positions the lever can be used in.

Locked

Move the lever to this position to:

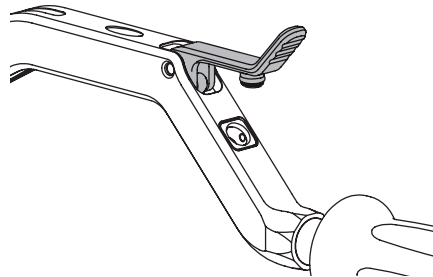
- Thread the cup onto the end of the OCI
- Lock the rotation of the Trinket during impaction.



Retained

In this position the cup and Trinket will be retained. Move the lever to this position to:

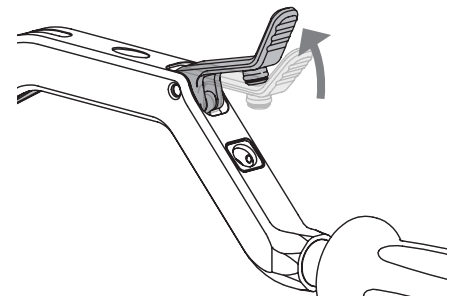
- Insert the Trinket
- Rotate the cup for screw hole positioning
- Unscrew the Trinket from the cup using the handle driver.



Fully Open

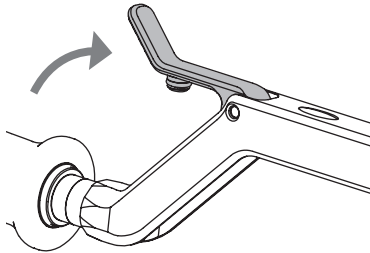
Move the lever to this position for:

- Quick attachment/detachment to and from the Trinket for cup visualisation.

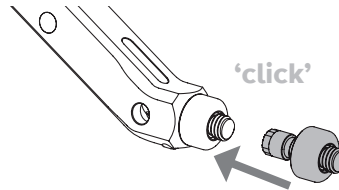


Cup Attachment

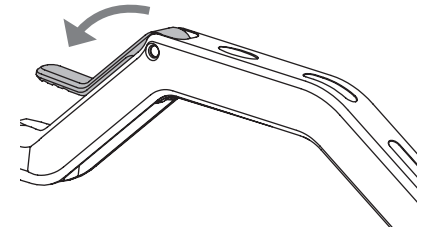
1) Release the Lock Lever.



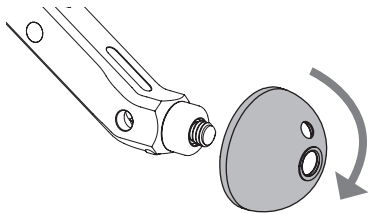
2) Push the Trinket into the distal end of the Offset Body. An audible click should be heard.



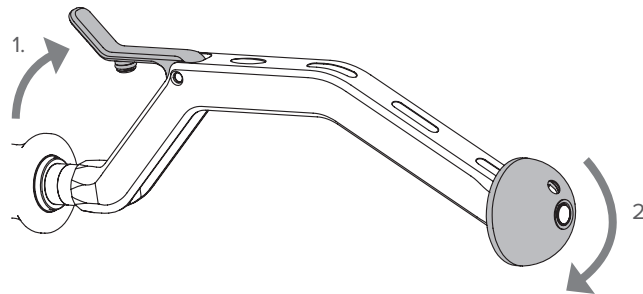
3) Push the Lock Lever down into the locked position.



4) Attach the acetabular cup by screwing it onto the exposed portion of the Trinket.

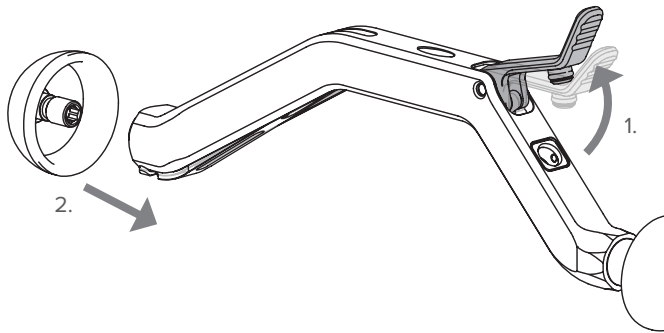


5) To orientate the cup to the desired position, release the Lock Lever and rotate the cup. Lock again and ensure the cup is well secured prior to impaction.

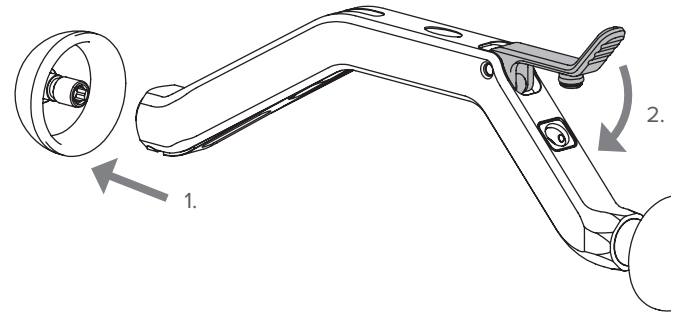


Visualisation

- 1) Push the Lock Lever all the way forward and extract the OCI X from the incision

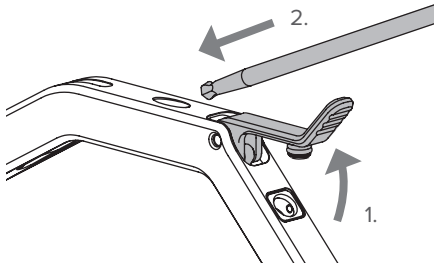


- 2) Once visualisation is complete reattach the OCI X to the Trinket with the Lock Lever in the retained position then close the Lock Lever and complete impaction.

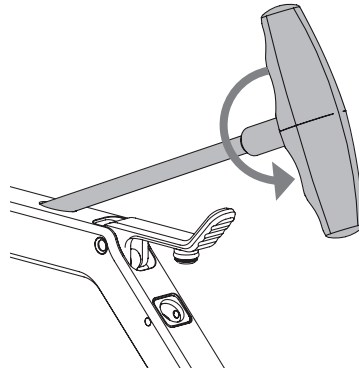


Cup Detachment

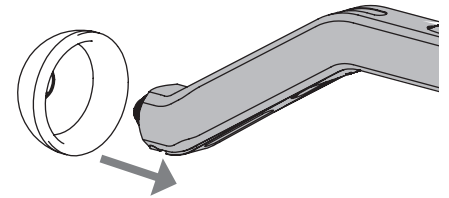
- 1) Release the Lock Lever then insert the Straight or T-Handle Driver.



- 2) Rotate the Handle Driver anticlockwise to unthread the Trinket from the cup*.



- 3) Withdraw the OCI X and Trinket from the acetabular cup.



*Note: The hole in the back of the Straight Handle Driver can be used to gain extra leverage to unthread the Trinket. This must not be used to tighten the Trinket as the extra leverage may damage the cup or the Trinket.

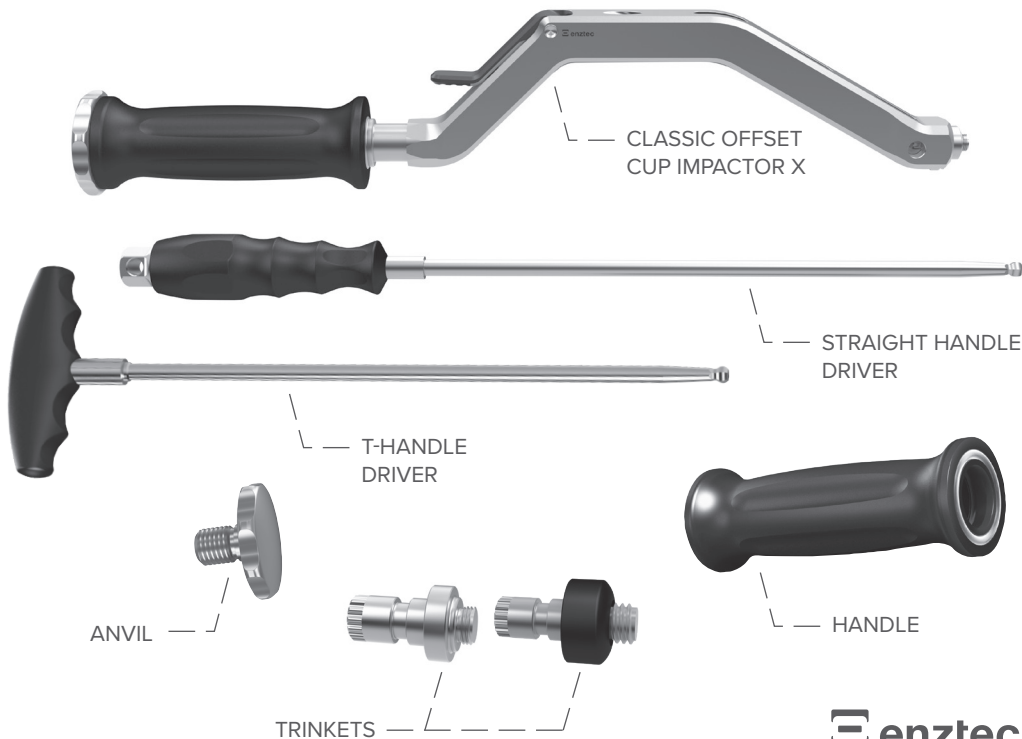
Offset Cup Impactor Body

4252-2310	Classic Offset Cup Impactor X
-----------	-------------------------------

Replacement Parts

4252-23XX	Trinket
4252-2311	Straight Handle Driver
4252-2314	T-Handle Driver
4252-2312	Handle
4252-2313	Anvil

A standard range of Trinkets are available, to fit any threaded acetabular cup.



Nota Bene

A surgeon must always rely on his or her own professional clinical judgment when deciding which products and/or techniques to use on individual patients. Enztec is not dispensing medical advice and recommends that surgeons be trained in orthopaedic surgeries before performing surgeries.

The information presented is intended to demonstrate the breadth of Enztec product offerings. Always refer to the package insert, product label and/or user instructions before using any Enztec product. Products may not be available in all markets. Product availability is subject to the regulatory or medical practices that govern individual markets. Please contact your Enztec representative if you have any questions about the availability of Enztec products in your area.

Enztec own, use or have applied for the following trademarks or service marks: Enztec.



Enztec Limited
3/17 Print Place
Middleton
Christchurch, 8024
New Zealand

Contact:

Enztec Limited
P.O.Box 31029, Ilam
Christchurch, 8444
New Zealand
Ph: + 64 3 348 0203
W: www.enztec.com

© 2024 Enztec Limited
All rights reserved.

Part No: 11928-00; Rev: 4

 **enztec**