



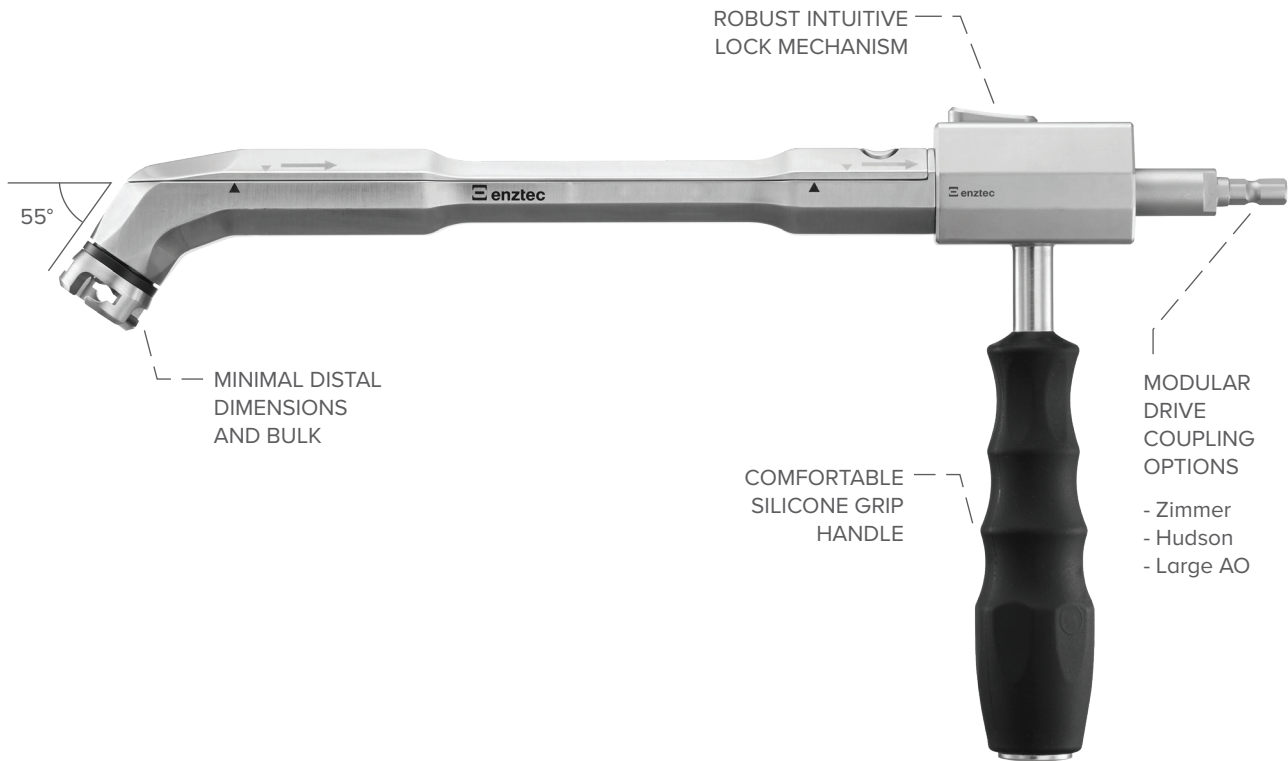
Angled Reamer Driver

Supporting a Direct Superior Approach.

With limited surgical access, you can be confident the Enztec Angled Reamer Driver will allow accurate placement and attachment of the acetabular reamer in-situ while also giving you clear visibility of the acetabular rim.

Engineered with a unique open capture the Enztec Angled Reamer Driver securely holds acetabular reamers and allows attachment in-situ or on the back table.

You can rely on the Enztec Angled Reamer Driver to give you the flexibility and confidence to ream in tight spaces.



Features

- High Offset 55°
- Intuitive assembly and simple disassembly for cleaning
- Replaceable parts
- Easy intraoperative adjustment of the handle
- Compatible with Crossbar reamers

Specifications

- Materials: Stainless Steel, Silicone, PEEK
- Weight: 800g / 1.8lbs
- Length: 325mm / 12.8in
- Add your logo: available